

INFORMATION TECHNOLOGY SRI LANKA

First Term Examination, 2020

Grade 11

Information & Communication Technology I, II

Three hours

Information & Communication Technology I

Note:

- I. This paper consists of **40 Multiple Choice Questions**.
- II. Answer **all** questions.
- III. Pick one of the alternatives (1), (2), (3), (4) which is **correct** or most **appropriate**.

1. The CPU of a computer consist of which of the followings?
(1) ALU, CU, Display
(2) ALU, CU, RAM
(3) ALU, CU, Register
(4) RAM, ROM, Hard Disk
2. Which of the following octal numbers is equivalent to decimal 79?
(1) 117_8 (2) 1017_8 (3) 711_8 (4) 107_8
3. Which of the following number systems are used in computers to store date?
(1) Decimal (3) Octal
(2) Binary (4) Hexadecimal
4. Which of the following decimal numbers is equivalent to binary number 110111_2 ?
(1) 55 (2) 63 (3) 110 (4) 118
5. Which of the following files given in Table 1 could be stored in a Flash Drive having total capacity of 4GB so that a least amount of unused space is left on the device?

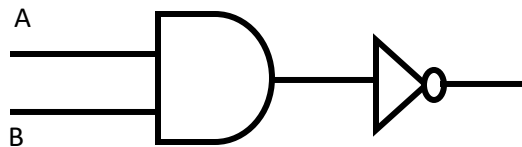
Table 1

File Name	Size
A.doc	300MB
B.jpg	740MB
C.mp4	3GB

- (1) A.doc and B.jpg only
- (2) B.jpg and C.mp4 only
- (3) C.mp4 only
- (4) All of them

6. A key function of an Operating System is
 (1) Mail services
 (2) Managing hardware resources in the computer system
 (3) Counting words in a document
 (4) Starting computer
7. A device that can be used to input data and output information
 (1) Touch Screen (2) Light Pen (3) Microphone (4) Speaker
8. Which is an information?
 (1) A timetable (2) A number (3) A word (4) A name
9. Which of the followings shows the file formats of image files only?
 (1) JPEG, PNG, RAW (3) DOCX, JPEG, PNG
 (2) MP4, JPEG, PNG (4) DOC, PNG, JPEG
10. 1MB is equivalent to
 (1) 1024B (2) 1024KB (3) 1000KB (4) 1000B

- Consider the Circuit 1 to answer 11th and 12th questions.



Circuit 1

11. Which of the followings Boolean Algebra function express the *Circuit 1*?
 (1) A.B (2) A+B (3) Q (4) (A.B)'
12. While A=1 and B=0 the output of the logic circuit is
 (1) 0 (2) 11 (3) 10 (4) 1
13. What is called as main memory of computers?
 (1) ROM (2) Hard Disk (3) CD (4) RAM
14. Which of the following communication media uses light reflection to transmit data?
 (1) Unshielded Twisted Pair (3) Optical Fiber
 (2) Shielded Twisted Pair (4) Coaxial Cable
15. Bluetooth is a
 (1) Wide Area Network (3) Personal Area Network
 (2) Local Area Network (4) None of the above
16. Which of the following is not an Operating System?
 (1) Windows (2) Android (3) iOS (4) Google

17. Which is not a quality of an information?

- (1) Relevancy (2) Accuracy (3) Completeness (4) Costliness

18. Personal Computers are _____ Computers.

- (1) First Generation (3) Third Generation
(2) Second Generation (4) Fourth Generation

19. Which is not an application software?

- (1) PDF reader (3) Ubuntu
(2) Word Processing (4) Google Chrome

20. The image 1 is a screen capture of word processing application



Image 1

The icon mentioned by arrow used to perform which of the following tasks?

- (1) To open a new file (3) To save the document
(2) To delete the current file (4) To insert shapes and images

21. What is the short cut key combination used to copy a selected content in MS Office Word?

- (1) CTRL + C (2) CTRL + V (3) CTRL + Z (4) CTRL + X

22. CPU stands for

- (1) Central Processing Unit (3) Command Processing Unit
(2) Control Program Unit (4) Control Processing Unit

23. What is the largest value that can be in a number system where the base is n?

- (1) n (2) n-1 (3) n+1 (4) n*1

24. Which is not a pointing device?

- (1) Mouse (2) Light Pen (3) Keyboard (4) Joysticks

25. Which of the followings is not a basic logic gate?

- (1) AND gate (2) OR gate (3) NOT gate (4) XOR gate

26. What are the basic functions of any Information System?

- (1) Input, Process, Output (3) Input, Storage, Output
(2) Data, Process, Information (4) Input, Output, Display

27. What is the world first adding machine?

- (1) Abacus (3) Punch Card
(2) MARK I (4) Analytical Engine

28. Select suitable font effect which use for the word ~~Communication~~

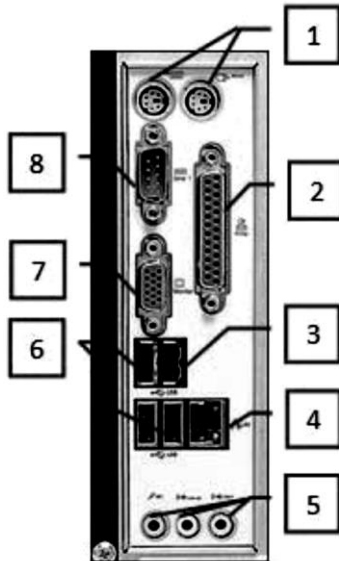
- (1) Underline (2) Strikethrough (3) Superscript (4) Subscript

29. Windows Operating System is a product of _____ company

- (1) Microsoft (2) Apple (3) Google (4) Facebook

- Use the image 2 to answer 30th, 31st and 32nd questions

Image 2



30. Image 2 shows,

- (1) Ports of a computer (3) Backside of a computer
(2) Mother board of a computer (4) CPU of a computer

31. Which port is most appropriate to connect USB drivers to the computer?

- (1) 1 (2) 2 (3) 5 (4) 6

32. Port 1 is used to connect Keyboard and mouse to the computer system. Identify the name of the port.

- (1) USB port (2) PS/2 port (3) HDMI port (4) VGA port

33. What is the main storage device of a computer?

- (1) RAM (2) Floppy Disk (3) DVD (4) Hard Disk

34. What software starts with the system while starting computers?

- (1) Operating System (3) Google Chrome
(2) Skype (4) Word Processing

35. Which of followings is not a characteristic of a computer?

- (1) Speed (2) Accuracy (3) Intelligence (4) Efficiency

36. 8 bits are equivalent to

- (1) 1byte (2) 1nibble (3) 1Kilobyte (4) 1Megabyte

37. The physical structure of the following computer network is called

- (1) Star Topology
- (2) Ring Topology
- (3) Tree Topology
- (4) Bus Topology



38. The biggest value of the following is,

- (1) 526
- (2) 1101101_2
- (3) 554_8
- (4) 1FF

39. What is the alignment used in following paragraph?

Video provides a powerful way to help you prove your point. When you click Online Video, you can paste in the embed code for the video you want to add. You can also type a keyword to search online for the video that best fits your document.

To make your document look professionally produced, Word provides header, footer, cover page, and text box designs that com

- (1) Right
- (2) Left
- (3) Center
- (4) Justify

40. Name two logic gates that represents the two truth tables below respectively

A	B	Q
0	0	0
0	1	0
1	0	0
1	1	1

A	B	Q
0	0	0
0	1	1
1	0	1
1	1	1

- (1) AND, OR
- (2) AND, NOR
- (3) NAND, OR
- (4) NAND, NOR

You can send us a PDF copy of your answer to be corrected or contact us for the answer script

Mail: itsrilanka.itsl@gmail.com
Phone/WhatsApp: 0776939243
Facebook: [Messenger](#)
Site: <https://www.itsl.tk/>
Blog: <https://www.itsl-blog.tk/>

INFORMATION TECHNOLOGY SRI LANKA

First Term Examination, 2020

Grade 11

Information & Communication Technology I, II

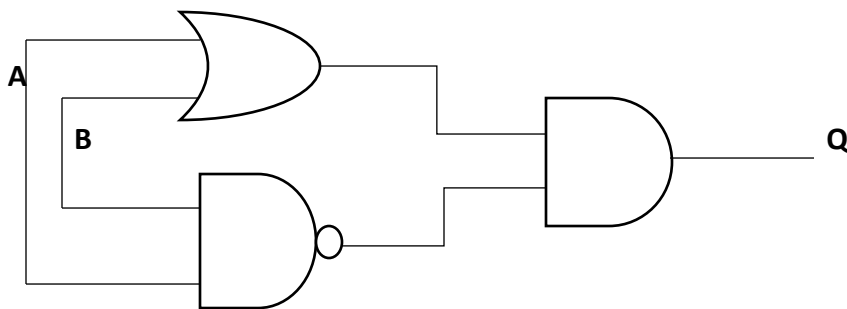
Information & Communication Technology II

Note:

- I. This paper consists of **four (4) Questions**.
- II. Answer **any three (3)** questions.
- III. Each question carries **20 marks**.

1) Question 01

- (i) Convert Hexadecimal number EA to equivalent decimal number. Show the relevant steps.
- (ii) Consider the following Logic Circuit diagram:



- (a) Present the equivalent Boolean expression for the above Logic Circuit
- (b) Prepare a truth table for the Logic Circuit
- (iii) When the bank ATM card is inserted to an ATM machine, data is processed and information regarding the account is given. Write down two examples each for input, process and output while withdrawing money using ATM machine.
- (iv) Briefly explain functions of Information System using diagram.

2) Question 02

- (i) ICT is used in many industries and professional areas. Explain 3 instances how ICT is used in the field of education.
- (ii) List down some demerits of using computers while studying.
- (iii) Computer is an Information System. Explain this statement.
- (iv) Explain Client-Server computer architecture.

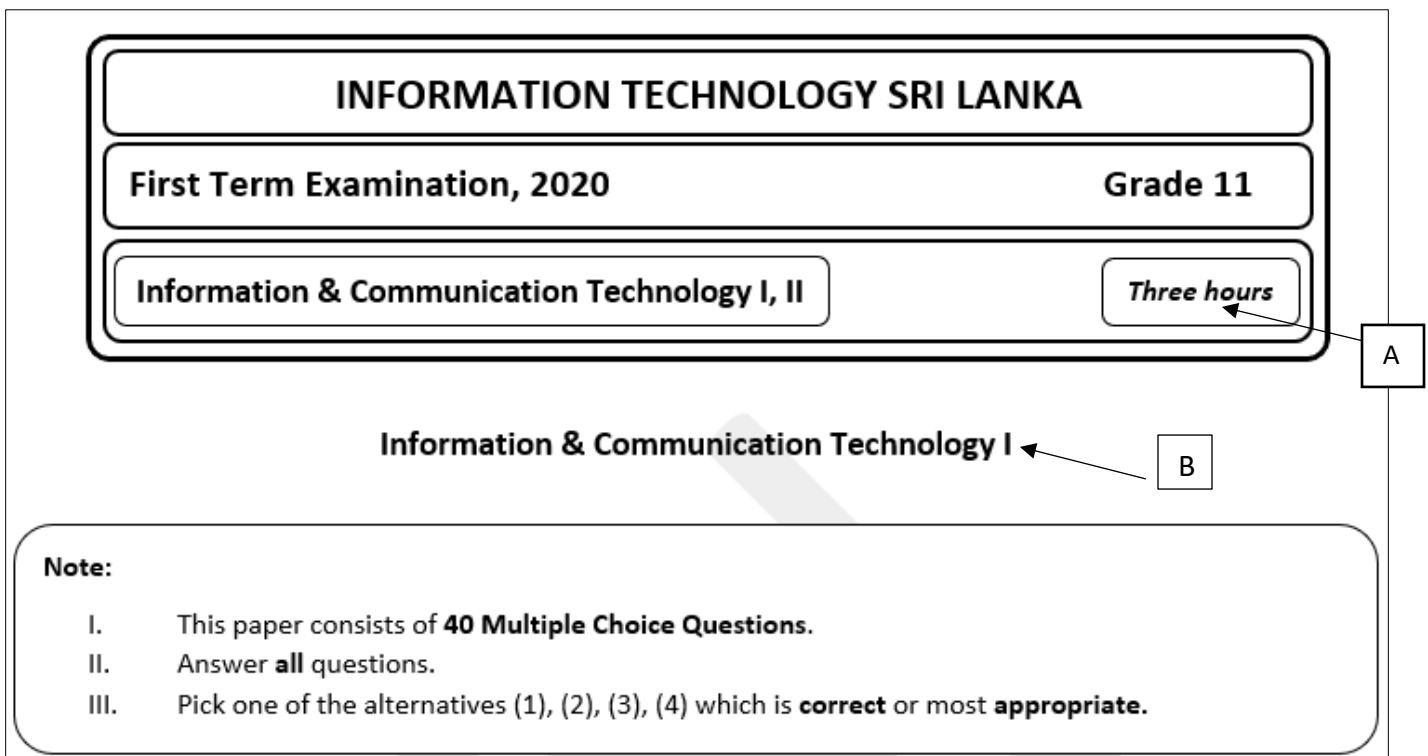
3) Question 03

- (i) Briefly explain the followings
 - (a) Simplex Mode
 - (b) Half-duplex Mode
 - (c) Full Duplex Mode
- (ii) Connection among computers to transmit data and information is called as Computer Network.
 - (a) Mention the three types of computer networks
 - (b) Write three disadvantages of computer networks
- (iii) A computer consists of software and hardware.
 - (a) What is operating system?
 - (b) Write four hardware management processes of operating system
 - (c) Mention two examples for Graphical User Interface (GUI) Operating System.

4) Question 4

- (i) What is the file extension of the word processing software?
- (ii) Apart from creating Examination papers, mention three types of documents that can be created using Word Processing Software

The following image shows the instruction section of your exam paper which is created by word processing software.



- (iii) What are the two types of font customization tools used in (Duration of the paper)?
- (iv) Which text alignment option is used in ?
- (v) Is numbering tool used in the **Note:** section of the paper?
- (vi) Is word processing software an open source application?
- (vii) Write the steps to save the document in D: Drive of the Hard Disk inside **IT-Grade11** folder.
(*Hint: There are 5 steps to save a document*)
- (viii) Write the steps to open the same document from the **IT-Grade11** folder.